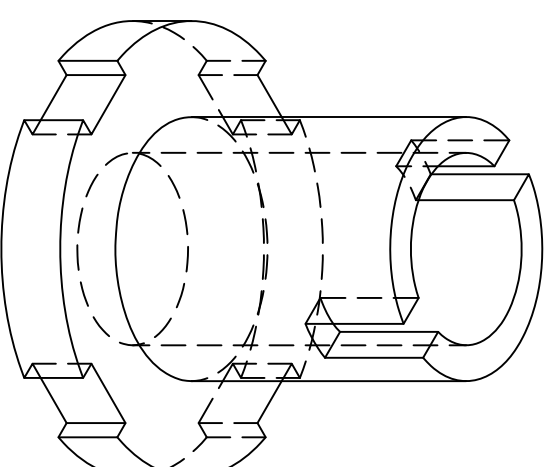
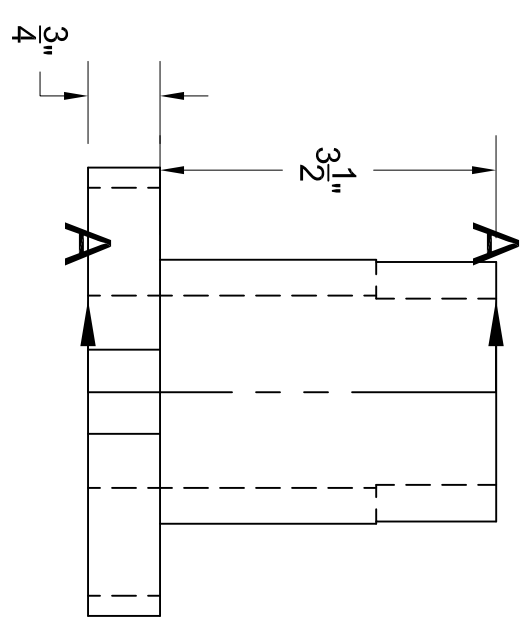


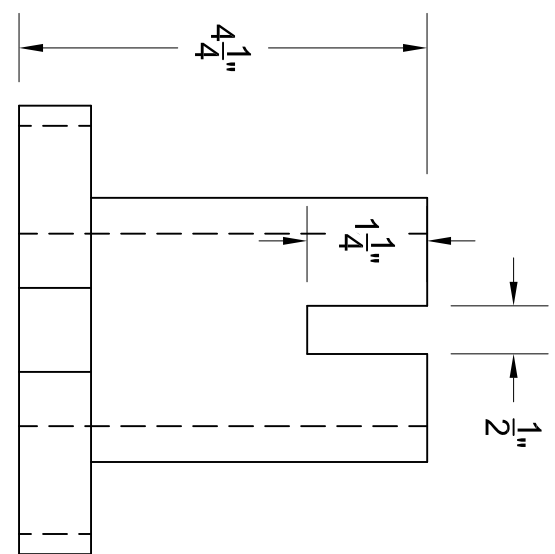
1 Plan View  
1 Lab 10, Unit 7  
6"=1'0"



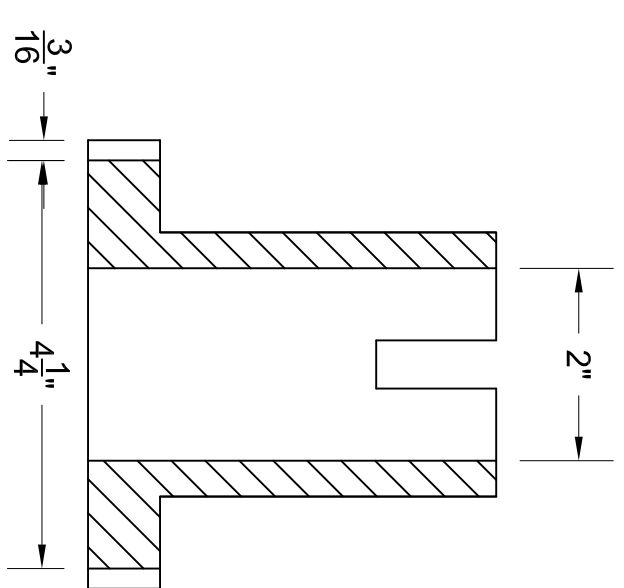
4 Isometric View  
1 Lab 10, Unit 7  
6"=1'0"



2 Front View  
1 Lab 10, Unit 7  
6"=1'0"



3 Side View  
1 Lab 10, Unit 7  
6"=1'0"



5 Section A-A  
1 Lab 10, Unit 7  
6"=1'0"

# Lab 10

#7 Cylindrical Object
Scenic Design:
Lighting Design: Randy Steffen
Draftsperson: Jammie Garrard
Date: 12/6/12
Approved By:
Scale:
Plate #: <b>1</b>